
Intermot Hydraulic Motors IAM+ Series

H2 Models

***IAM+ 200 – 250 – 300 – 350 H2
IAM+ 400 – 500 – 600 H2***

INDEX

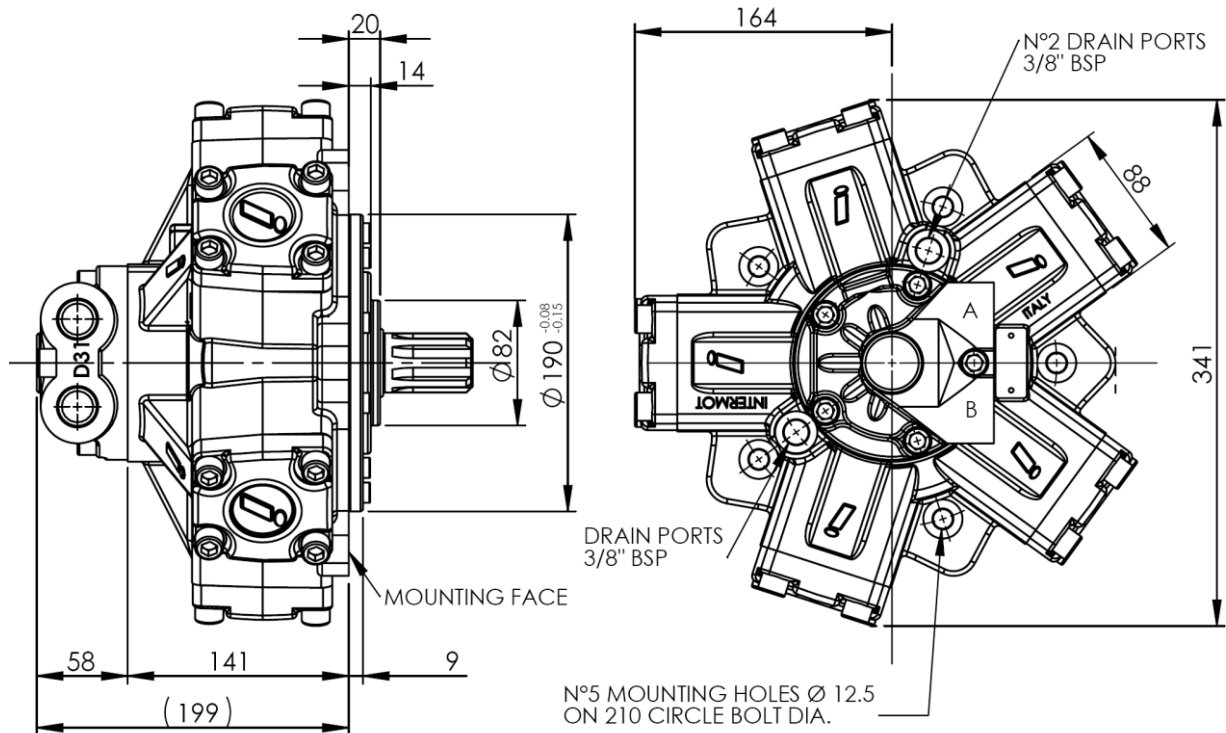
TECHNICAL DATA	Pag. 20
IAM+ 200 - 250 – 300 - 350 H2	Pag. 21
IAM+ 400 - 500 - 600 H2	Pag. 22
GRAPHIC PERFORMANCES	Pag. 23
ORDERING INSTRUCTIONS	Pag. 29

IAM+ H2

Technical data

MODEL	N° of pistons	Displacement	Specific Torque	Pressure			Speed		Max Power		Dry Mass	Max case pressure	Max back pressure	Temperature range	Minimum speed	Inertia moment of rotating parts
				Max Cont.	Max Int.	Peak	Max Cont.	Peak								
		cm ³ /rev	Nm/bar	bar			rpm		hp	kW	kg	bar	bar	°C	rpm	kg cm ²
IAM+ H2	200	198	3.1	300	350	400	800	900	79	59	42	6	70	- 30 ÷ +70	2	27
	250	255	4.1	300	350	400	750	850	79	59						
	300	304	4.8	300	350	400	750	850	79	59						
	350	362	5.8	300	350	400	650	750	79	59						
	400	425	6.8	300	350	400	600	700	79	59						
	500	493	7.8	300	350	400	500	600	79	59						
	600	565	9.0	300	350	400	500	600	79	59						

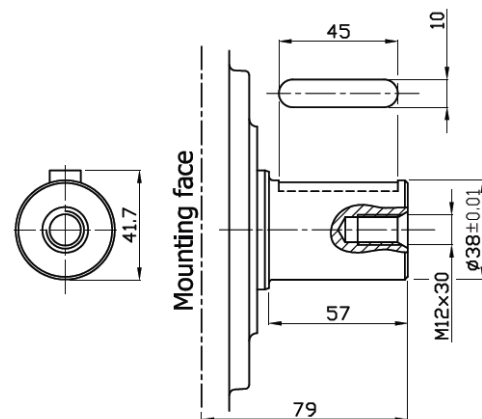
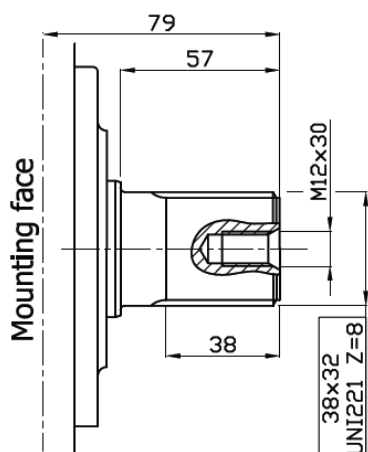
IAM+ 200 – 250 – 300 – 350 H2



SHAFTS

A0: Standard splined shaft

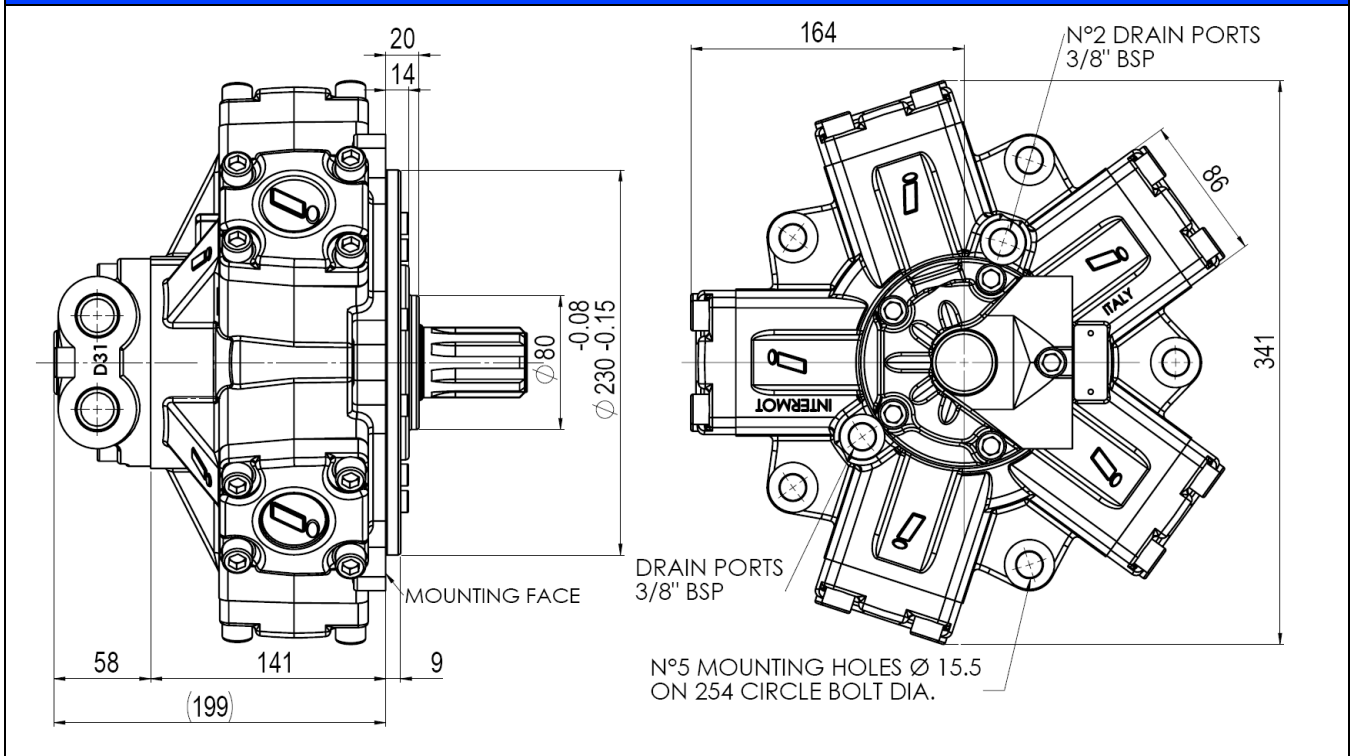
A2: Parallel shaft on request



IAM+ H2

Dimensional drawings

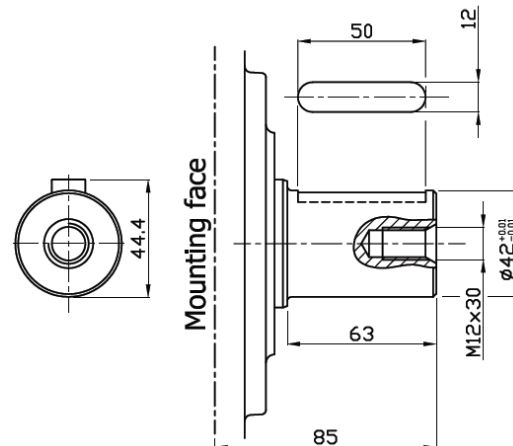
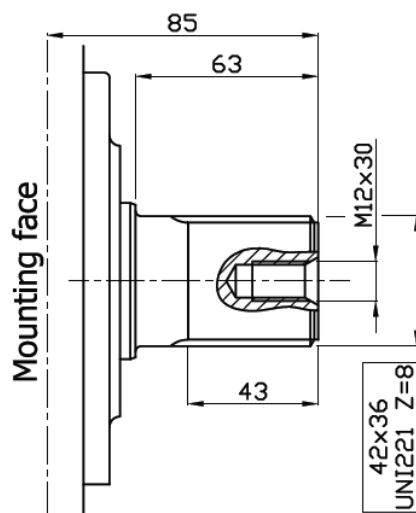
IAM+ 400 – 500 – 600 H2



SHAFTS

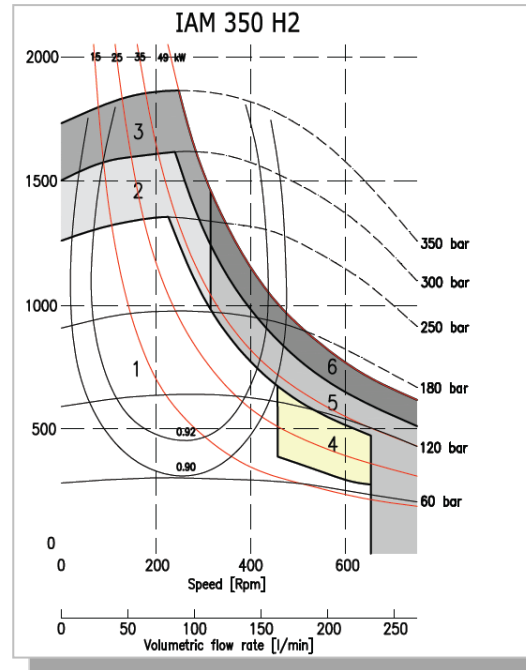
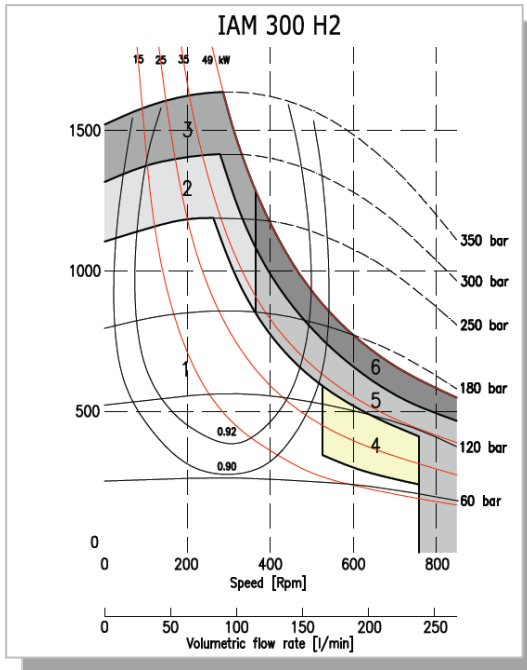
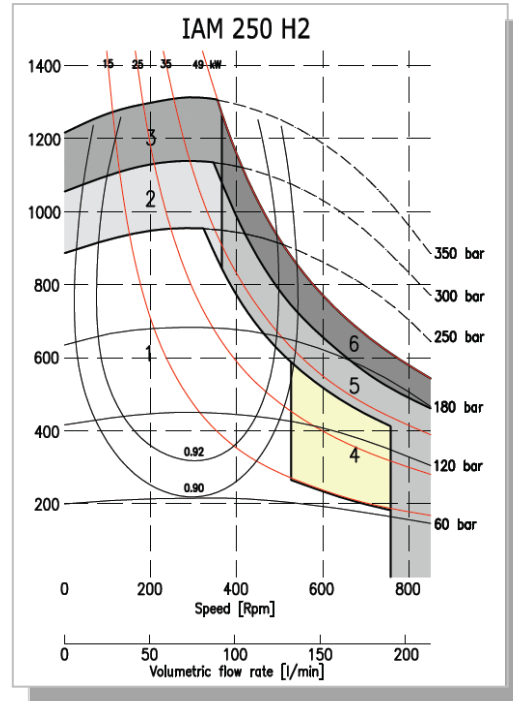
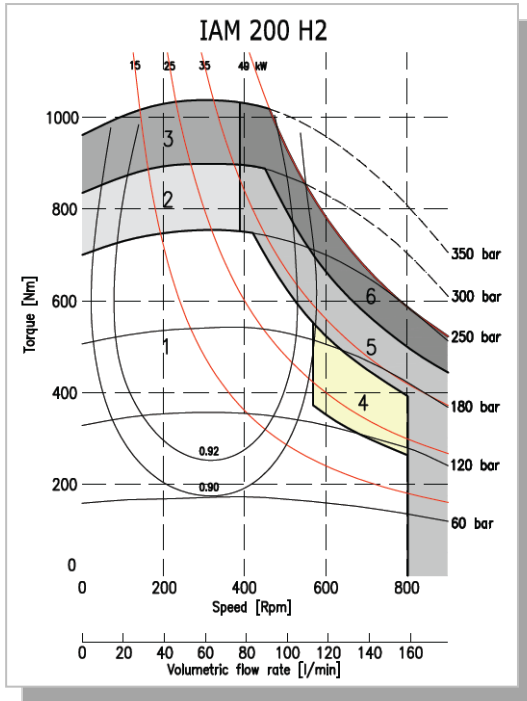
A0: Standard splined shaft

A2: Parallel shaft on request



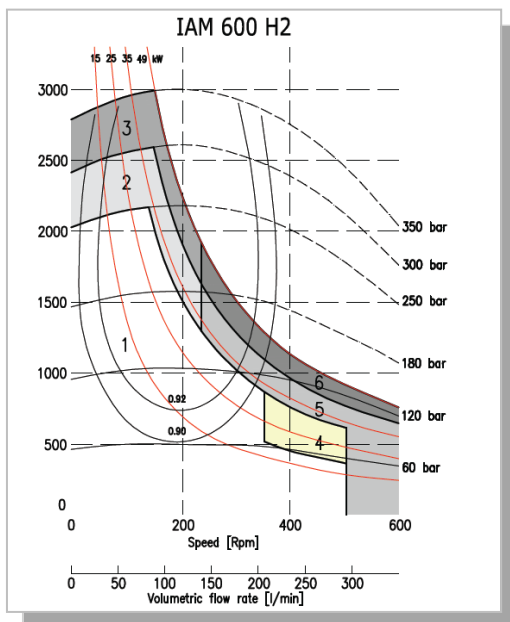
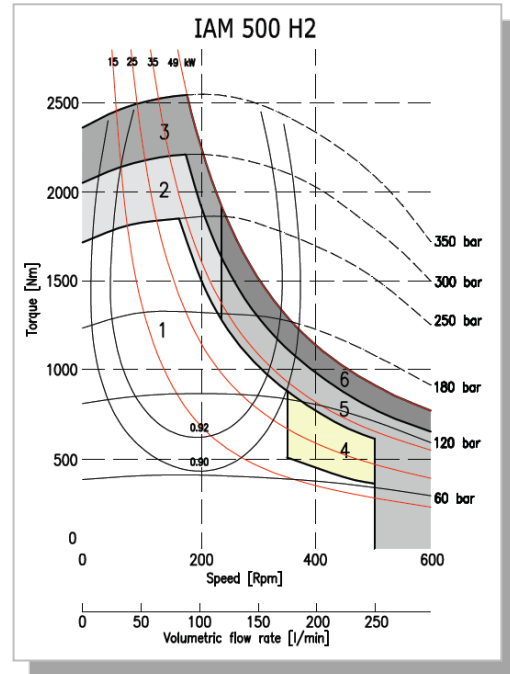
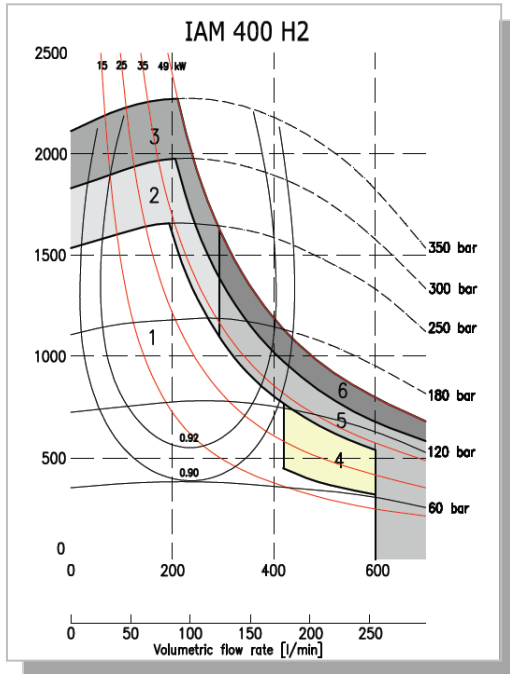
IAM+ H2

Power charts



IAM+ H2

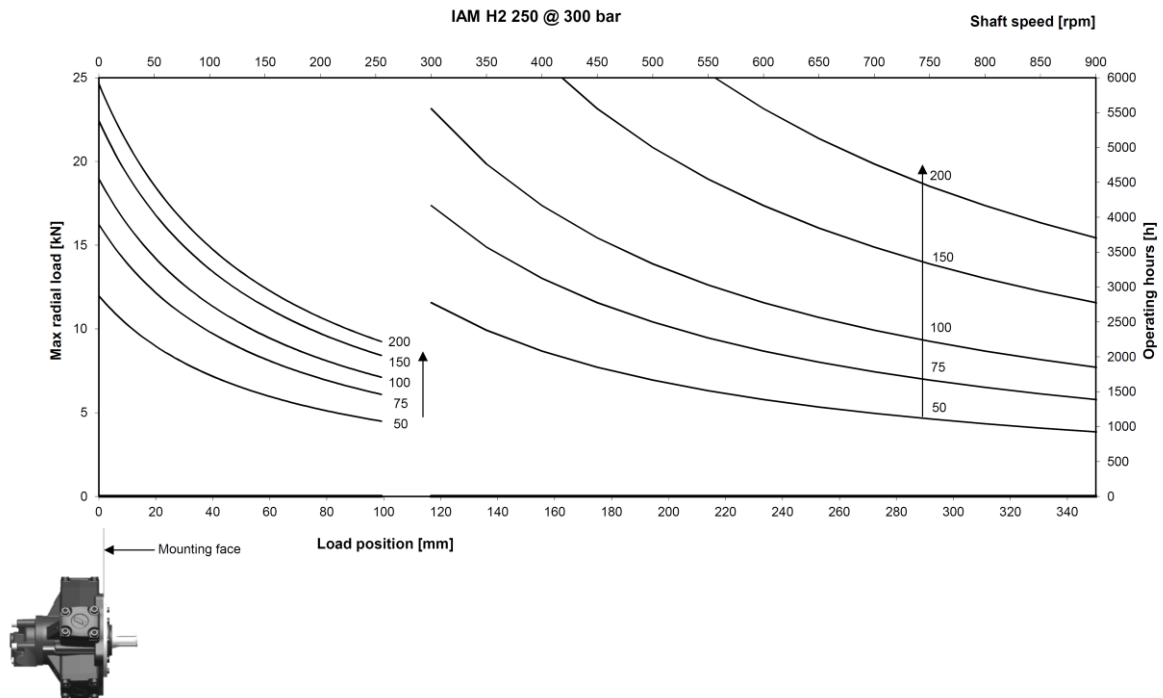
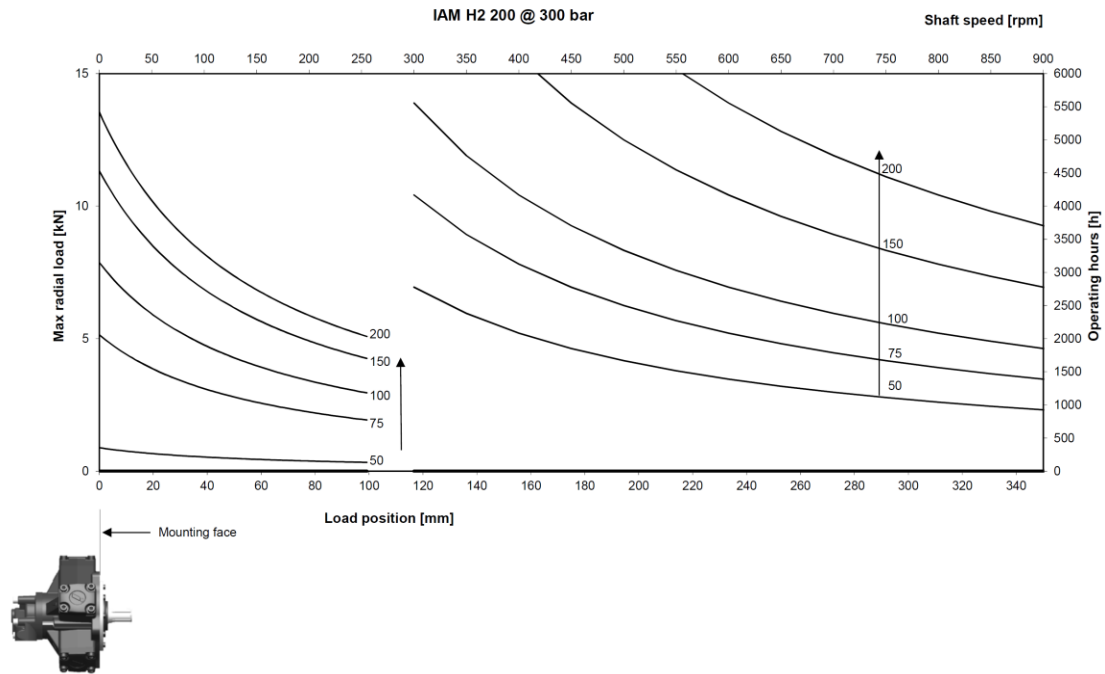
Power charts



1	Continuous operation
2	Intermittent operation for period 3-5 minutes every 10-15 minutes
3	Intermittent operation for very short period (3-5 seconds every 10-15 minutes)
4	Continuous operation with flushing
5	Intermittent operation for period 3-5 minutes every 10-15 minutes with flushing
6	Intermittent operation for very short period (3-5 seconds every 10-15 minutes) with flushing

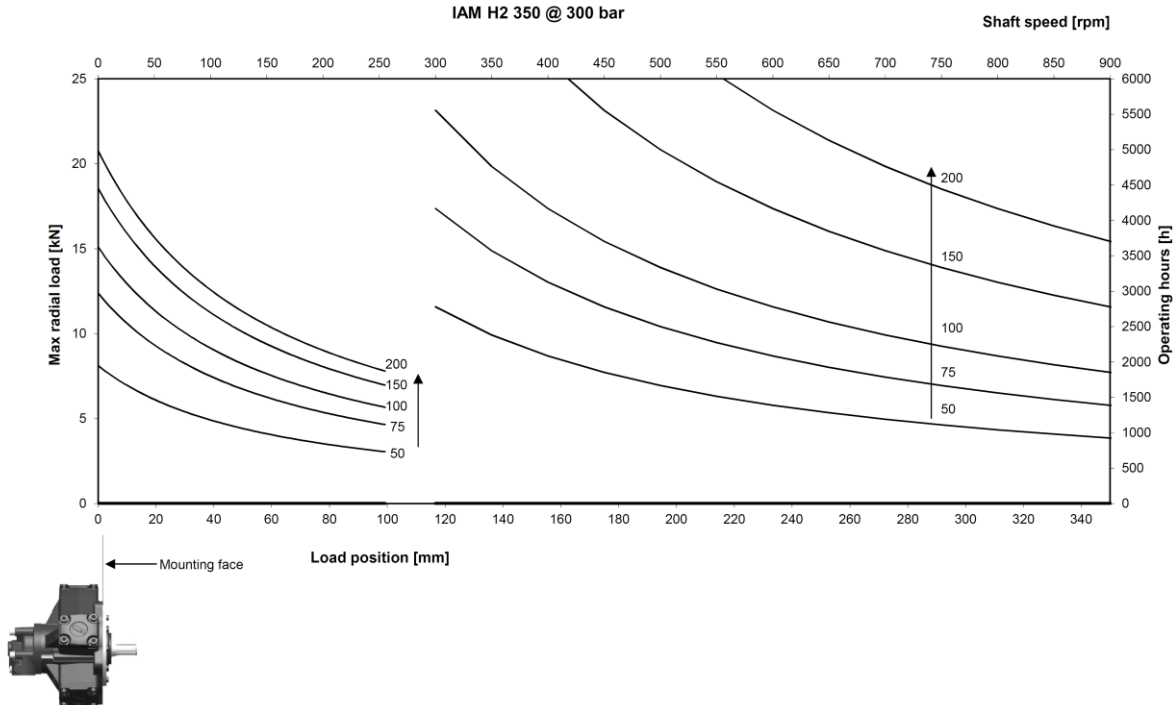
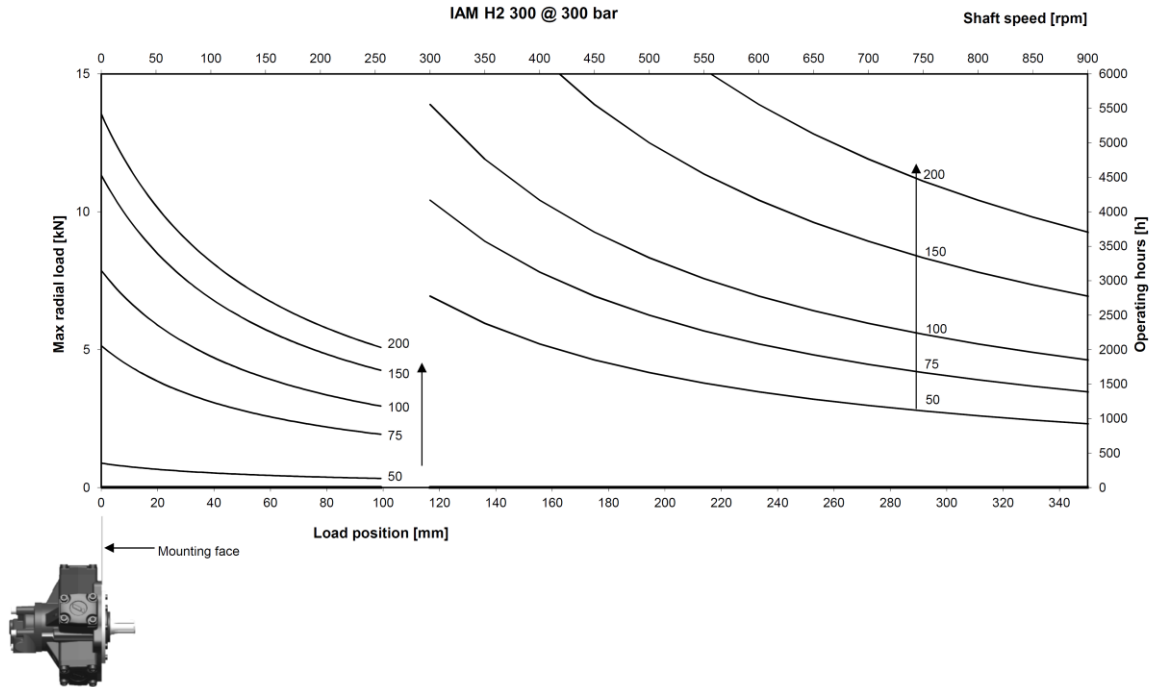
IAM+ H2

Side load charts



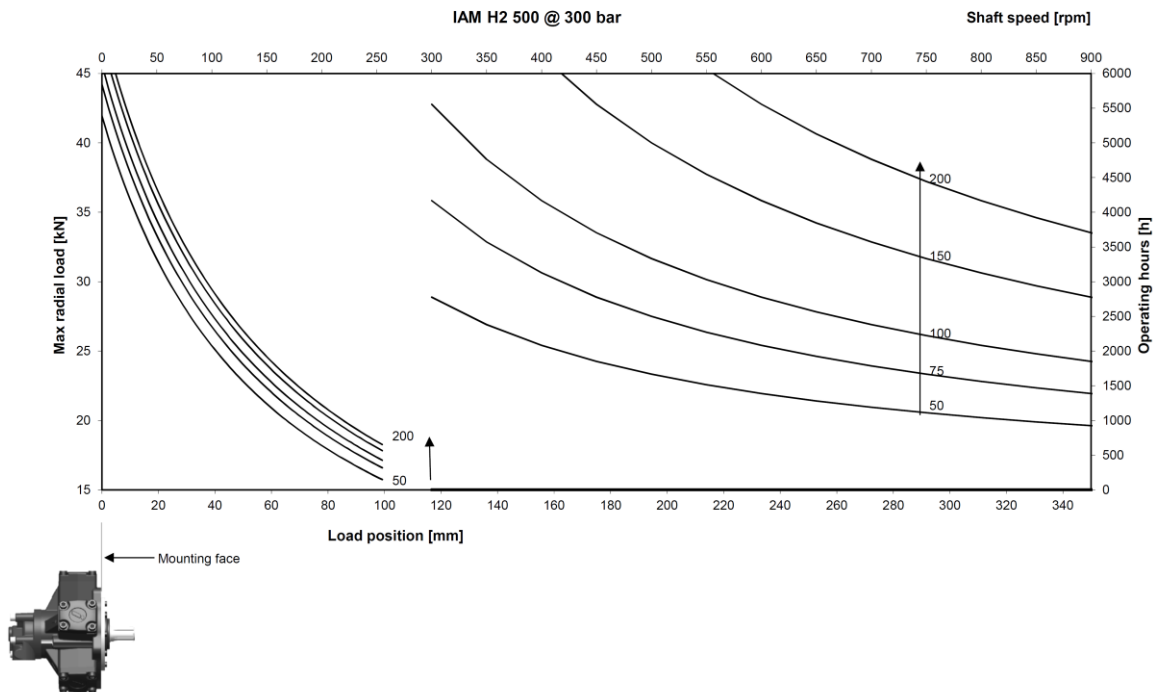
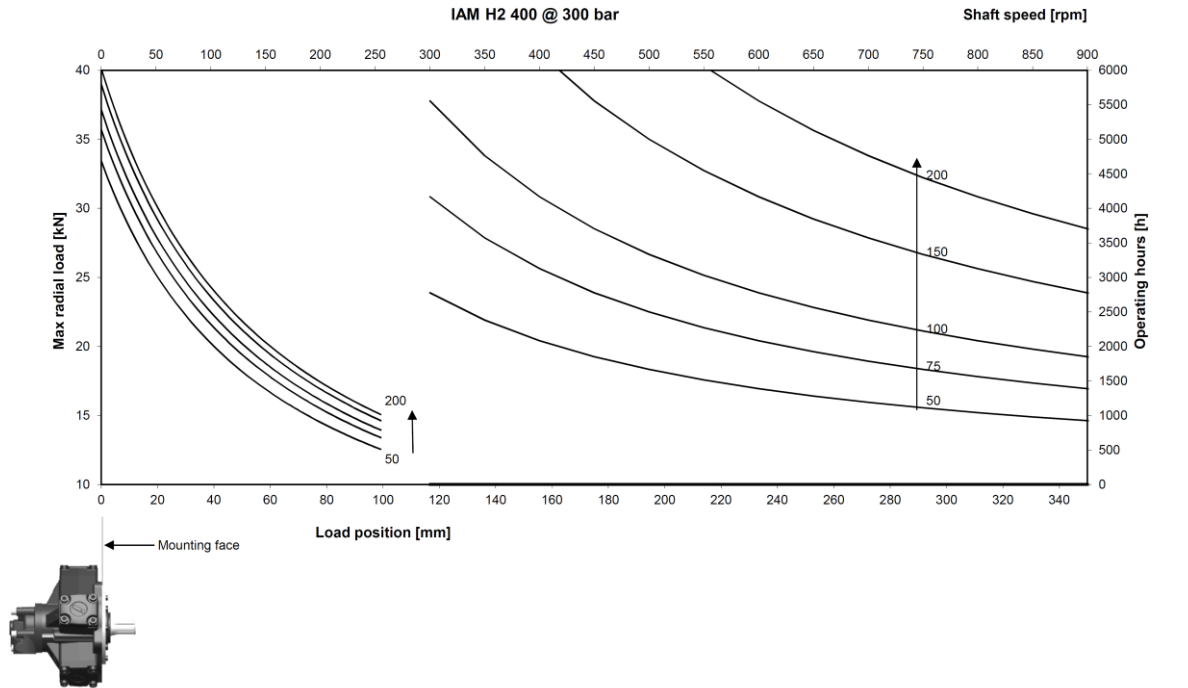
IAM+ H2

Side load charts



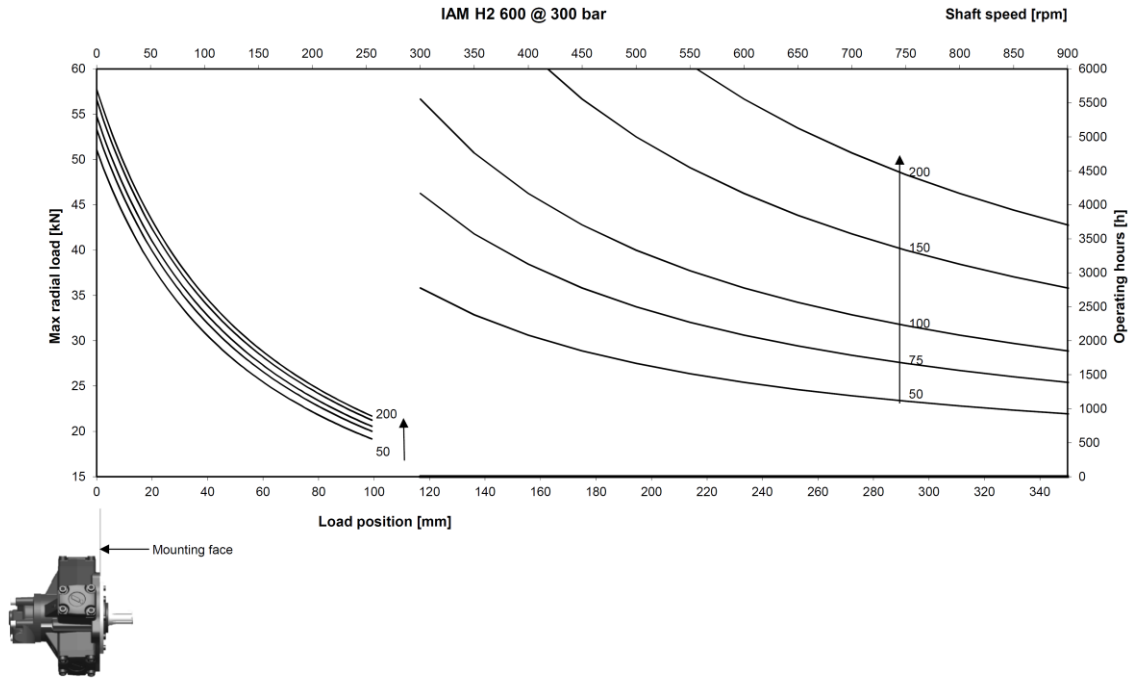
IAM+ H2

Side load charts



IAM+ H2

Side load charts



IAM+ H2

Ordering instructions

IAM+	---	H2	A _	D _ _	---	SB _
Model						
Displacement						
200 cc/rev						
250 cc/rev						
300 cc/rev						
350 cc/rev						
400 cc/rev						
500 cc/rev						
600 cc/rev						
Housing						
Shaft						
A0 – Standard splined shaft						
A2 – Parallel keyed shaft						
Distributor						
D31 – 3/4" BSP						
D310 – 1" BSP						
D40 – 1" BSP						
D47 – SAE 1" 3000 psi flange						
Tachometer						
K						
TA						
TB						
EST						
Spline billet						
SB2 – 32 UNI 221						
SB3 – 36 UNI 221						

EXAMPLE : IAM+ 400 H2 A0 D40

IAM+ 200 H2 A0 D40 K SB2